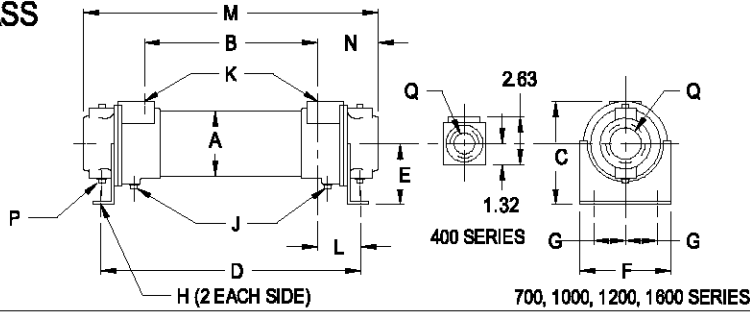
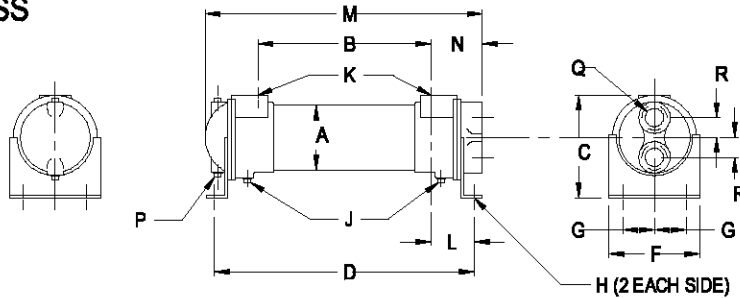


--CAB SERIES-- DIMENSIONS

SINGLE PASS

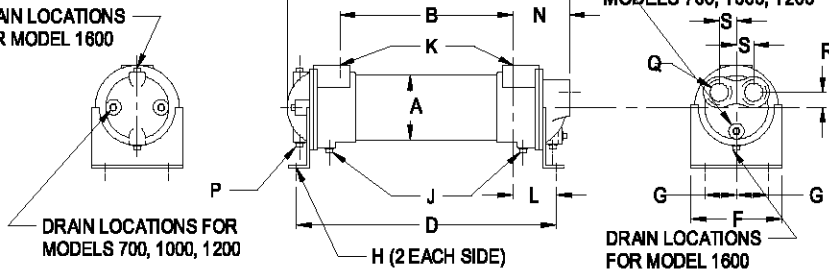


TWO PASS



FOUR PASS

DRAIN LOCATIONS FOR MODEL 1600



DRAIN LOCATIONS FOR MODELS 700, 1000, 1200

DRAIN LOCATIONS FOR MODELS 700, 1000, 1200

DRAIN LOCATIONS FOR MODEL 1600

SINGLE PASS				
MODEL	M	N	P NPTF.	Q NPTF.
CAB-401	11.24	1.81	—	1.00
CAB-402	20.24			
CAB-701	13.47		(4)	1.50
CAB-702	22.47	3.24	0.38	
CAB-703	31.47			
CAB-1002	23.60			
CAB-1003	32.60	4.05	(4)	2.00
CAB-1004	41.60		0.38	
CAB-1005	50.60			
CAB-1202	24.38			
CAB-1203	33.25			
CAB-1204	42.12	4.88	(4)	3.00
CAB-1205	51.12		0.50	
CAB-1206	60.25			
CAB-1207	69.25			
CAB-1208	78.12			
CAB-1602	26.62			
CAB-1603	35.62			
CAB-1604	44.62			
CAB-1605	53.62	6.13	(4)	4.00
CAB-1606	62.62		0.50	
CAB-1607	71.62			
CAB-1608	80.62			
CAB-1609	89.62			
CAB-1610	98.62			

TWO PASS

MODEL	M	N	P NPTF.	Q NPTF.	R
CAB-401	—	—	—	—	—
CAB-402	—	—	—	—	—
CAB-701	13.28		(2)		
CAB-702	22.28	3.30	0.38	1.00	0.88
CAB-703	31.28				
CAB-1002	23.29				
CAB-1003	32.29	3.80	(2)	1.50	1.19
CAB-1004	41.29		0.38		
CAB-1005	50.29				
CAB-1202	23.94				
CAB-1203	32.81				
CAB-1204	41.69	4.56	(2)	2.00	1.44
CAB-1205	50.69		0.50		
CAB-1206	59.81				
CAB-1207	68.81				
CAB-1208	77.69				
CAB-1602	25.10				
CAB-1603	34.10				
CAB-1604	43.10				
CAB-1605	52.10	6.38	(2)	2.50	1.88
CAB-1606	61.10		0.50		
CAB-1607	70.10				
CAB-1608	79.10				
CAB-1609	88.10				
CAB-1610	97.10				

FOUR PASS

MODEL	M	N	P NPTF.	Q NPTF.	R	S
CAB-401	—	—	—	—	—	—
CAB-402	—	—	—	—	—	—
CAB-701	13.42		(3)			
CAB-702	22.42	3.24	0.38	0.75	0.62	0.88
CAB-703	31.42					
CAB-1002	23.55					
CAB-1003	32.55	4.06	(3)	1.00	0.75	1.34
CAB-1004	41.55		0.38			
CAB-1005	50.55					
CAB-1202	24.44					
CAB-1203	33.31					
CAB-1204	42.19	4.90	(2)	1.50	1.12	1.40
CAB-1205	51.19		0.38			
CAB-1206	60.31		(1)			
CAB-1207	69.31		0.50			
CAB-1208	78.19					
CAB-1602	26.66					
CAB-1603	35.66					
CAB-1604	44.66					
CAB-1605	53.66	6.38	(3)	2.00	1.38	1.88
CAB-1606	62.66		0.50			
CAB-1607	71.66					
CAB-1608	80.66					
CAB-1609	89.66					
CAB-1610	98.66					

COMMON DIMENSIONS												
MODEL	A	B	C	D	E	F	G	H	L	J NPTF.	K NPTF.	WEIGHT (LBS.)
CAB-401	2.125	7.62	3.50	11.06	1.94	2.62	0.88	0.41 Dia.	1.72	—	0.50	7
CAB-402		16.62		20.06								10
CAB-701		7.00		12.38						(2)	1.00	17
CAB-702	3.656	16.00	6.25	21.38	3.62	5.25	1.50	0.44x1.00	2.89	0.38	1.00	25
CAB-703		25.00		30.38								30
CAB-1002		15.50		21.62						(6)	1.50	40
CAB-1003		24.50		30.62	4.00	6.75	2.00	0.44x1.00	3.06	0.38	1.50	50
CAB-1004	5.125	33.50	7.38	39.62								60
CAB-1005		42.50		48.62								70
CAB-1202		14.62		21.50								55
CAB-1203		23.50		30.38								70
CAB-1204		32.38		39.25						(6)	2.00	90
CAB-1205	6.125	41.38	8.81	48.25	4.75	7.50	2.50	0.44x1.00	3.44	0.38	2.00	110
CAB-1206		50.50		57.38								130
CAB-1207		59.50		66.38								150
CAB-1208		68.38		75.25								170
CAB-1602		13.60		22.38								105
CAB-1603		22.60		31.38								140
CAB-1604		31.60		40.38								205
CAB-1605		40.60		49.38						(6)	3.00	245
CAB-1606	8.000	49.60	12.10	58.38	6.50	8.62	3.50	0.44x1.00	4.39	0.38	3.00	259
CAB-1607		58.60		67.38								270
CAB-1608		67.60		76.38								290
CAB-1609		76.60		85.38								315
CAB-1610		85.60		94.38								335

All dimensions in inches. Zinc anodes optional.

NOTE: We reserve the right to make reasonable design changes without notice.